

iku® windows – the intelligent self-cleaning glass facade Cover Cap system

iku® windows – the intelligent facade cover cap system is a complete curtain wall system with integrated self cleaning mechanism. Any cover cap façade is perfect for the subsequent integration of iku® windows self-cleaning mechanism.

The mechanism guiding the wiper is integrated in the external cover cap profile. With its modular design, the iku® windows intelligent glass facade is compatible with all common aluminium curtain wall structures and also with timber and steel structures. It can be incorporated into both new designs and existing facades.

After pumping the cleaning fluid onto the glass facade through a central water connection, the wiper starts to move at the touch of a button from the top of the facade to its end and cleans the pane continuously.

Individually it can be parameterised how much and how long water should be sprayed onto the glass facade, equally the frequency of the wiper movement can be decided.

The wipers are spring-loaded, which guarantees not only a perfect cleaning result but also allows the wipers to easily cope with horizontal transoms in the facade. The profiles blend seamlessly into the existing look of the building.

At present the system height applicable is 60 m, for higher buildings multiple systems are placed on top of each other.



iku® windows – the intelligent self-cleaning glass facade Cover Cap system

Benefits that pay off:

Convenience

- cleaning at the touch of a button
- clean facades in just a few hours (even high rise)
- no need for external cleaning contractors
- rainwater used for cleaning cycle
- free design for architects

Safety / Privacy

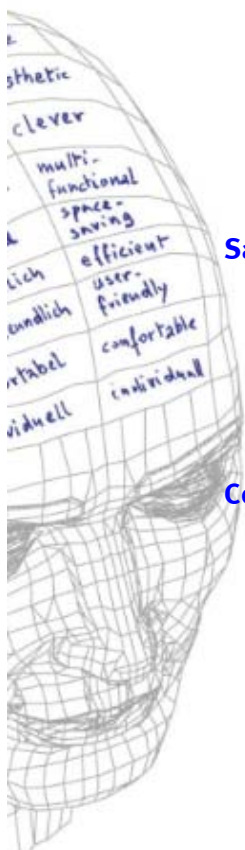
- safe cleaning of high glass facades
- no breakage from building maintenance units
- protection of privacy
- no outside personnel looking into the building (espionage / break-ins)

Cost effectiveness

- extremely low operation costs
- high frequency of cleaning without additional costs
- one-off investment
- low maintenance
- cleaning of solar panels, in order not to lose efficiency in energy production
- protection of the façade from fire and smog by increasing pressure of water spraying

Highlight:

The integrates iku® windows self-cleaning mechanism is ideal for new building as well as for refurbishment



To learn more about our products please click on www.iku-windows.com

iku® windows – the intelligent self-cleaning glass facade Cover Cap system

Prüfwerte

Resistance against windload according to NORM EN 12179

Air permeability

Water-tightness to driving rain

Shock resistance inside

Shock resistance outside

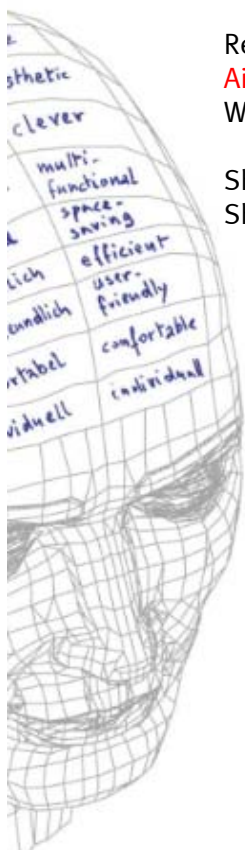
regular: 2000 Pa

class AE 1050 (1050 Pa)

class R 5 (300Pa)

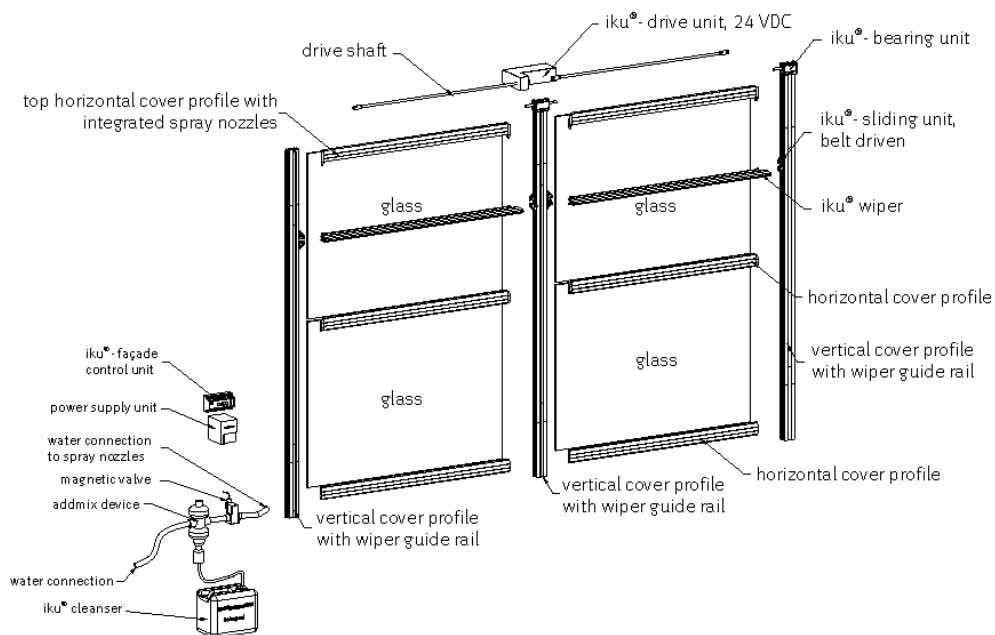
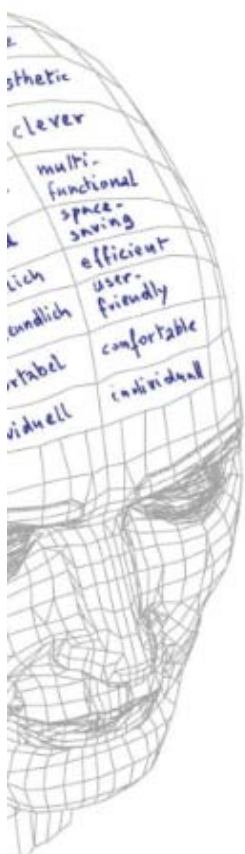
class I2

class E1



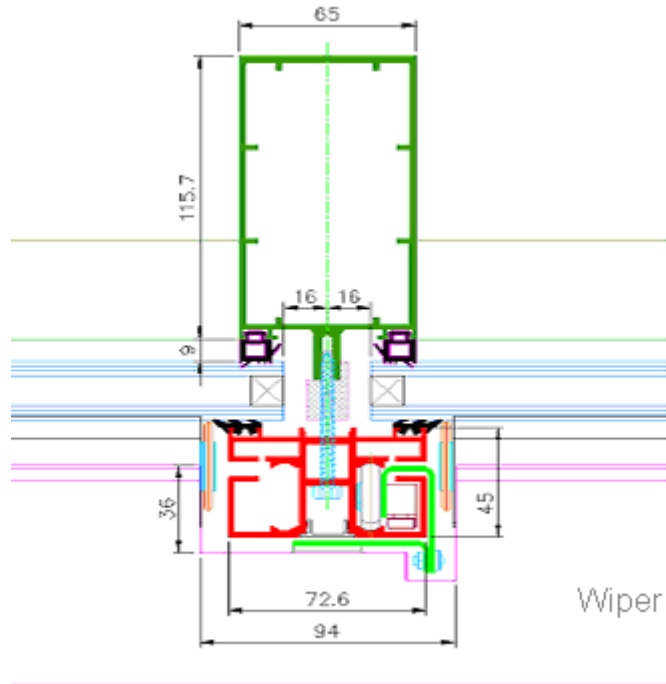
For further details please refer to www.iku-windows.com

iku® windows – the intelligent self-cleaning glass facade Cover Cap system

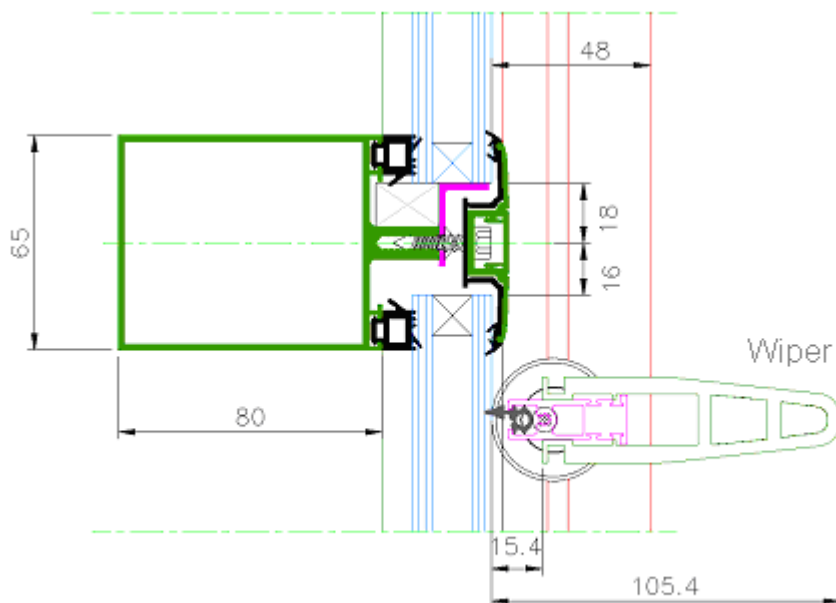


iku® windows – the intelligent self-cleaning glass facade Cover Cap system

vertical section cut



horizontal section cut



iku® windows – the intelligent self-cleaning glass facade Cover Cap system

